

Technical data sheet

Product features



Universal mixer planetary 3 speed 8 l 230 V

Model	SAP Code	00003711
--------------	-----------------	----------



- Control type: Digital
- Safety cover: polycarbonate with squeegee
- Start /stop: Yes
- Safety element: total stop complete stop of the device in case of opening the container protects the operator from injury
- Number of speeds of device: 3
- Standard equipment for device: boiler, whisk, hook, stirrer
- Way of tool mounting: Planets

SAP Code	00003711	Net Weight [kg]	25.00
Net Width [mm]	300	Power electric [kW]	0.200
Net Depth [mm]	400	Loading	230 V / 1N - 50 Hz
Net Height [mm]	580	Weight capacity of the device container [kg]	8.00

Technical data sheet

Technical drawing

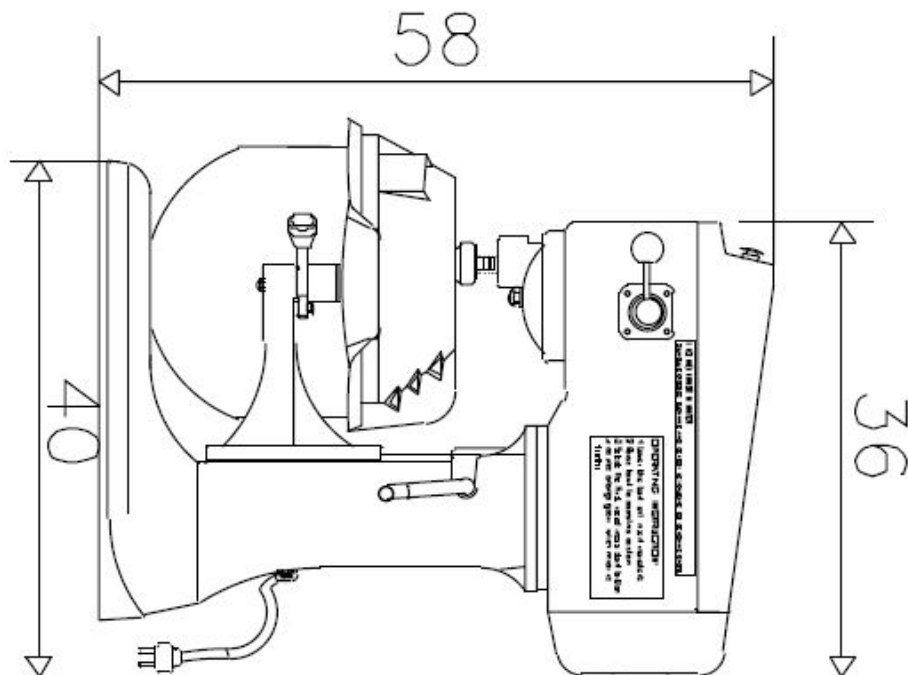
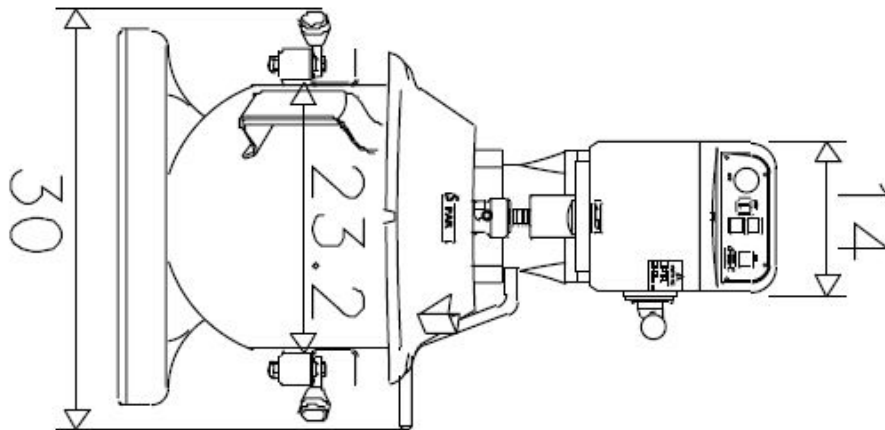


Universal mixer planetary 3 speed 8 l 230 V

Model

SAP Code

00003711



Technical data sheet

Product benefits



Universal mixer planetary 3 speed 8 l 230 V

Model

SAP Code

00003711

1

Planetary storage of attachments with 3 speeds

the attachments rotate around their axis and at the same time go around in a circle without the need to rotate the vessel (boiler)

- better mixing of ingredients; better quality of prepared dough

2

Additional devices

the possibility of grinding or grinding, or wiper arms, or handling carts

- multifunctionality

3

Content 5 80L

wide sortiment

- always the ideal size for every operation

4

Safety microswitch

without closing the microswitch, the machine will not start

- avoiding possible injury to the operator

5

Protective cover with filling opening

without closing the microswitch, the machine will not start

- Ingredients can be added additionally while ensuring the safety of the staff

6

Whisk, hook, stirrer

great basic equipment

- there is no need to buy additional equipment for whipping or kneading

7

No oil bath

the robot has a gearbox that is not stored in an oil basin

- no release of gear oil into the food

8

Reduction boiler

possibility to buy a reducing boiler that fits comfortably in a larger machine, but the volume is smaller than the boiler original

- simplification of working with smaller volumes of raw materials; the customer does not have to buy a second smaller machine afterwards

Technical data sheet

Technical parameters



Universal mixer planetary 3 speed 8 l 230 V

Model

SAP Code

00003711

1. SAP Code:

00003711

2. Net Width [mm]:

300

3. Net Depth [mm]:

400

4. Net Height [mm]:

580

5. Net Weight [kg]:

25.00

6. Gross Width [mm]:

330

7. Gross depth [mm]:

430

8. Gross Height [mm]:

700

9. Gross Weight [kg]:

30.00

10. Device type:

Electric unit

11. Power electric [kW]:

0.200

12. Loading:

230 V / 1N - 50 Hz

13. Number of speeds of device:

3

14. Control type:

Digital

15. Safety cover:

polycarbonate with squeegee

16. Safety element:

total stop complete stop of the device in case of opening the container protects the operator from injury

17. Way of tool mounting:

Planets

18. Safety Microswitch:

Yes

19. Start /stop:

Yes

20. Timer:

Yes

21. Standard equipment for device:

boiler, whisk, hook, stirrer

22. Unmountable bowl:

Yes

23. Weight capacity of the device container [kg]:

8.00

24. Cross-section of conductors CU [mm²]:

0,5

- Výkon (kW): 2,4-3,3 (230 V)